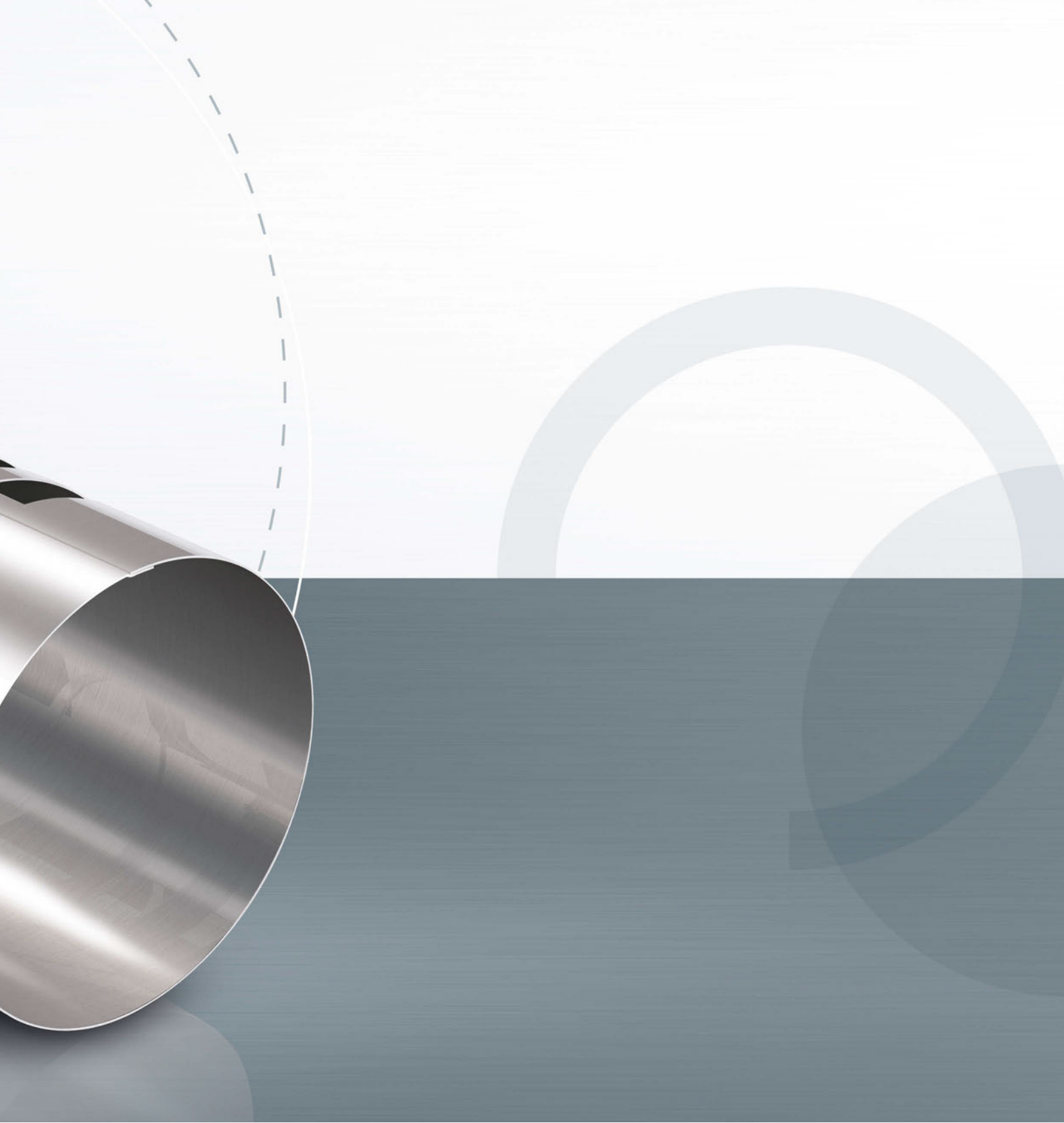




REVEN[®] Pipe Series

Condenser for the X-CYCLONE[®] C and CE series





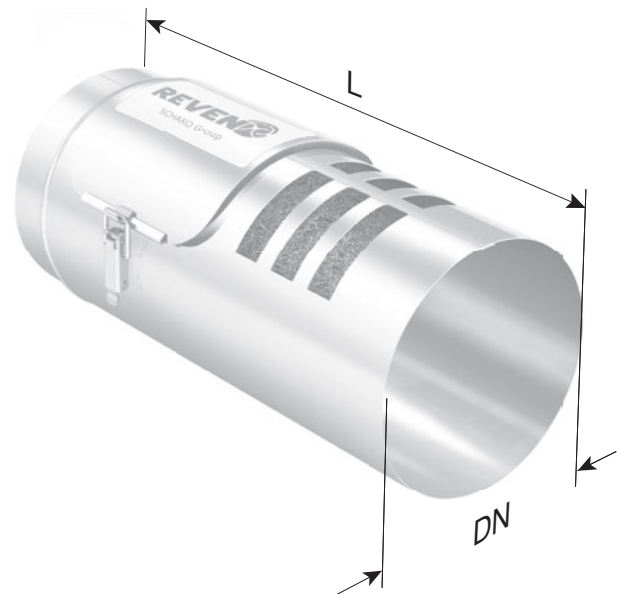
RANGE OF APPLICATION

Compact condensation system for steam and oil vapours, suitable accessory for the X-CYCLONE® C and CE series.

TECHNICAL HIGHLIGHTS

- Efficient condensation system made of stainless steel.
- Efficient air guidance straight to the condenser.
- Sustainable air-cleaning concept thanks to the use of cleanable components.
- Enclosure, condenser and all control elements 100 % rustproof in accordance with the requirements of the German trademark association for stainless steel Warenzeichenverband Edelstahl Rostfrei e.V.
- Designed, constructed and produced in Germany.
- Lifetime guarantee on the corrosion resistance of the enclosure.





TECHNICAL DATA – REVEN® PIPE SERIES

Type of device	Extraction volume [m ³ /h]	Length [mm]	Connecting diameter [mm]	Weight [kg]
Pipe 1	800	400	150	3
Pipe 2	1700	400	200	5
Pipe 3	4000	400	300	8
Pipe 4	5000	400	400	12