

X-CYCLONE® EVSR-W Series

Capture hood with X-CYCLONE® air-cleaning
and REVEX® spraying system

Peripheral version



REVEN 
SCHAKO Group



RANGE OF APPLICATION

Capture and cleaning of the exhaust air from production machines in the food industry and from cooking appliances in commercial kitchens. Separation of water- and oil-based aerosols such as spray mist or cooking fumes.



TECHNICAL HIGHLIGHTS

- Patented high-performance X-CYCLONE® separating system with an efficiency rate of up to 99.9999 %.
- Integrated, patented REVEX® spraying system for fully automatic cleaning and disinfection of the aerosol separators on both sides.
- Efficiency and function of the separators proven by CFD flow analysis.
- More efficient separation through condensation of the vapour molecules in the separator supported by air-induction.
- State-of-the-art integrated LED fixture with dimmer, reduction of the energy consumption by up to 50 % in comparison to conventional T5 and T8 fixtures.
- Fire protection in the exhaust duct due to flame-arresting X-CYCLONE® basic elements, tested in accordance with UL 1046, ULC-S 649, JFEA, DIN 18869-5 and DIN EN 16282.
- Effective protection of the exhaust duct against contamination.
- Lifetime guarantee on the X-CYCLONE® basic separator elements and the corrosion resistance of the hood frame.
- Sustainable air-cleaning concept thanks to efficient separators and scientifically sound technologies.
- The hood and all materials used for its production are 100 % rustproof in accordance with the require-

Further information

www.reven.de (Technologies)
www.speed-control.info
www.reven-protect.com

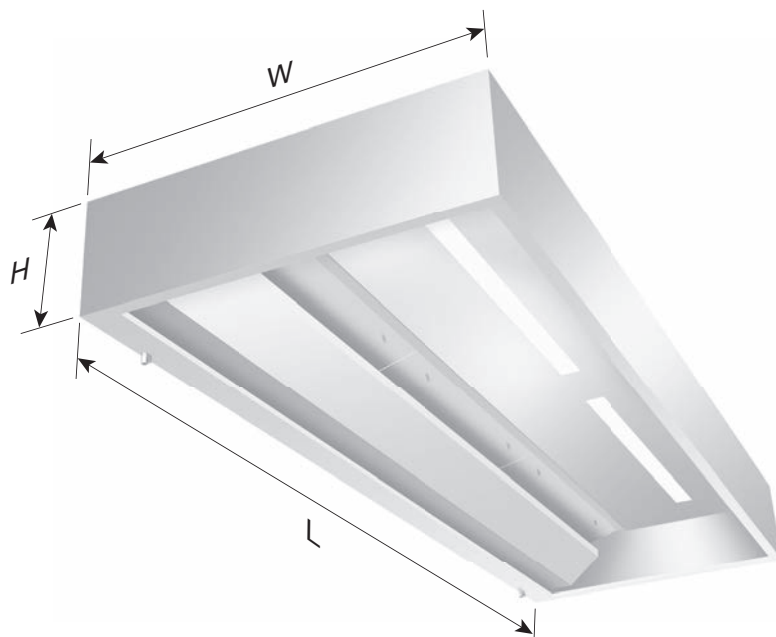


ments of the German trademark association for stainless steel Warenzeichenverband Edelstahl Rostfrei e.V.

- Designed, constructed and produced in Germany.

ACCESSORIES

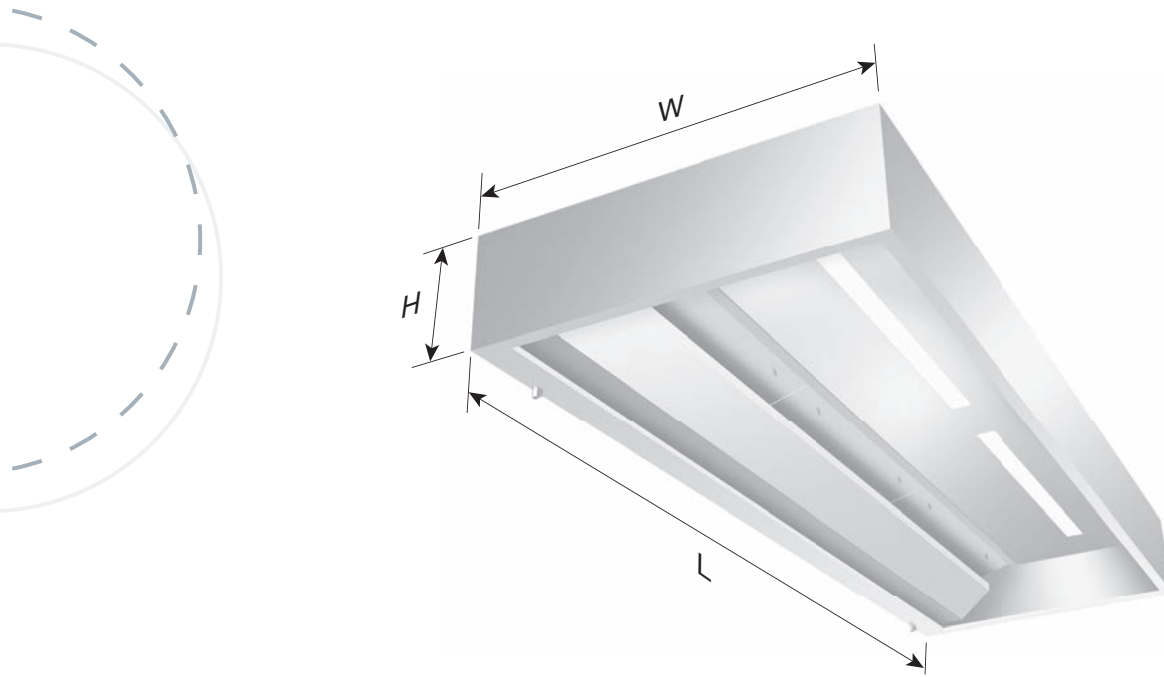
- REVEN® energy-saving sensors for fully automatic monitoring, control and adjustment of the exhaust air volume flow.
- REVEN® UV system for the elimination of odorous matter and micro-organisms.
- Fully integrated REVEN® PROTECT fire-extinguishing system.
- REVEN® ECOJET low-velocity air outlet for additional control of air management when operating capture hoods.



TECHNICAL DATA – X-CYCLONE® EVSR-W SERIES

Width [mm]	1000	1100	1200	1300	1400	1500	1600	1700	1800
Height [mm]	450	450	450	450	450	450	450	450	450

Length [mm]	Extraction volume [m³/h]	Connected load illumination [W]	Exhaust air socket [mm]
1000	800	1 x 14	1 x 500 x 250
1200	800	1 x 14	1 x 500 x 250
1400	1200	1 x 14	1 x 500 x 250
1600	1200	1 x 28	1 x 500 x 250
1800	1200	1 x 28	1 x 500 x 250
2000	1600	1 x 35	1 x 500 x 250
2200	1600	1 x 35	1 x 500 x 250
2400	2000	1 x 35	1 x 500 x 250
2600	2000	1 x 35	2 x 500 x 250



TECHNICAL DATA – X-CYCLONE® EVSR-W SERIES

Width [mm]	1000	1100	1200	1300	1400	1500	1600	1700	1800
Height [mm]	450	450	450	450	450	450	450	450	450

Length [mm]	Extraction volume [m³/h]	Connected load illumination [W]	Exhaust air socket [mm]
2800	2400	1 x 35	2 x 500 x 250
3000	2400	2 x 28	2 x 500 x 250
3200	2800	2 x 28	2 x 500 x 250
3400	2800	2 x 28	2 x 500 x 250
3600	2800	2 x 28	2 x 500 x 250
3800	3200	2 x 28	2 x 500 x 250
4000	3200	2 x 35	2 x 500 x 250

Other sizes on request!



TECHNICAL DATA – X-CYCLONE® EVSR-W SERIES

Length [mm]	Weight [kg]								
	Width [mm]								
	1000	1100	1200	1300	1400	1500	1600	1700	1800
1000	84	90	96	102	108	114	118	124	128
1200	84	100	108	114	120	128	132	138	142
1400	108	116	124	130	138	146	150	156	160
1600	120	128	136	144	152	160	164	170	174
1800	130	140	148	156	166	174	178	184	188
2000	144	152	162	172	180	190	194	200	204
2200	154	164	174	184	194	204	208	214	218
2400	166	178	188	198	210	220	224	230	234
2600	178	188	200	212	224	234	238	244	248
2800	192	204	216	228	240	254	258	264	268
3000	202	216	228	242	254	268	272	278	282
3200	216	228	242	256	270	284	288	294	298
3400	226	240	254	270	284	298	302	308	312
3600	236	252	266	282	296	312	316	322	326
3800	248	272	278	294	310	326	330	336	340
4000	262	278	294	312	328	344	348	354	358





X-CYCLONE® EVSR-M Series

Capture hood with X-CYCLONE® air-cleaning
and REVEX® spraying system

Central version





RANGE OF APPLICATION

Capture and cleaning of the exhaust air from production machines in the food industry and from cooking appliances in commercial kitchens. Separation of water- and oil-based aerosols such as spray mist or cooking fumes.



TECHNICAL HIGHLIGHTS

- Patented high-performance X-CYCLONE® separating system with an efficiency rate of up to 99.9999 %.
- Integrated, patented REVEX® spraying system for fully automatic cleaning and disinfection of the aerosol separators on both sides.
- Efficiency and function of the separators proven by CFD flow analysis.
- More efficient separation through condensation of the vapour molecules in the separator supported by air-induction.
- State-of-the-art integrated LED fixture with dimmer, reduction of the energy consumption by up to 50 % in comparison to conventional T5 and T8 fixtures.
- Fire protection in the exhaust duct due to flame-arresting X-CYCLONE® basic elements, tested in accordance with UL 1046, ULC-S 649, JFEA, DIN 18869-5 and DIN EN 16282.
- Effective protection of the exhaust duct against contamination.
- Lifetime guarantee on the X-CYCLONE® basic separator elements and the corrosion resistance of the hood frame.
- Sustainable air-cleaning concept thanks to efficient separators and scientifically sound technologies.
- The hood and all materials used for its production are 100 % rustproof in accordance with the require-

Further information

www.reven.de (Technologies)
www.speed-control.info
www.reven-protect.com

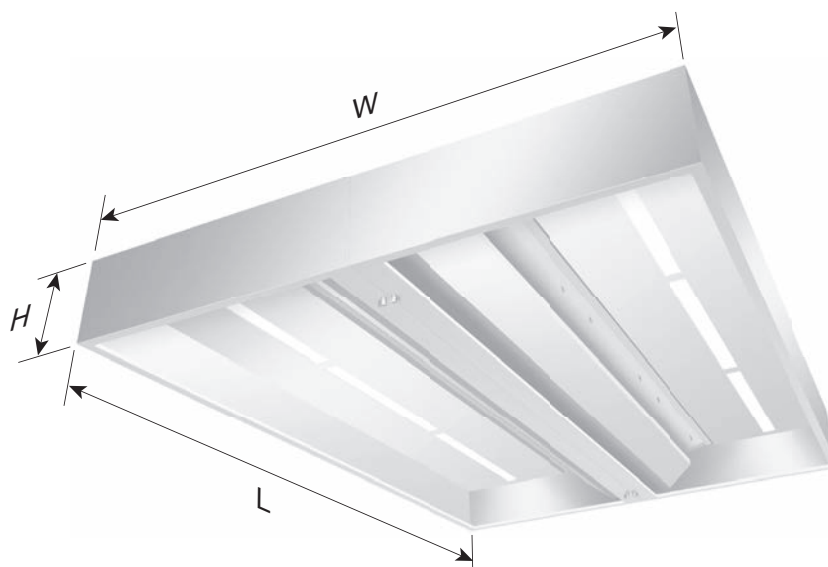


ments of the German trademark association for stainless steel Warenzeichenverband Edelstahl Rostfrei e.V.

- Designed, constructed and produced in Germany.

ACCESSORIES

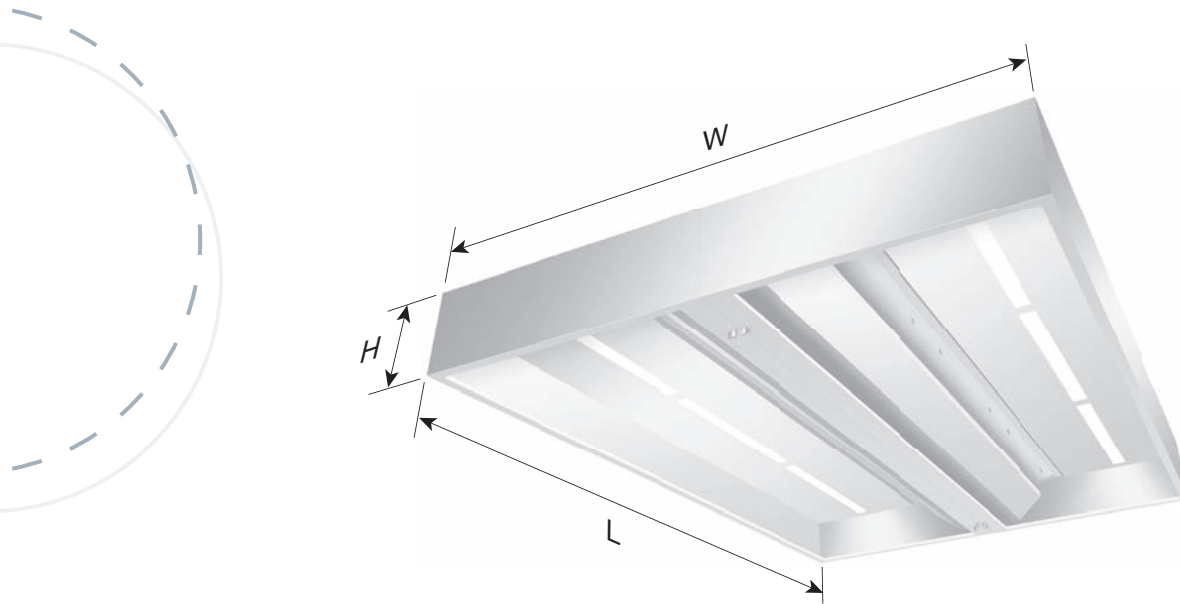
- REVEN® energy-saving sensors for fully automatic monitoring, control and adjustment of the exhaust air volume flow.
- REVEN® UV system for the elimination of odorous matter and micro-organisms.
- Fully integrated REVEN® PROTECT fire-extinguishing system.
- REVEN® ECOJET low-velocity air outlet for additional control of air management when operating capture hoods.



TECHNICAL DATA – X-CYCLONE® EVSR-M SERIES

Width [mm]	2000	2200	2400	2600	2800	3000
Height [mm]	450	450	450	450	450	450

Length [mm]	Extraction volume [m³/h]	Connected load illumination [W]	Exhaust air socket [mm]
1000	1600	2 x 14	2 x 500 x 250
1200	1600	2 x 14	2 x 500 x 250
1400	1600	2 x 14	2 x 500 x 250
1600	2400	2 x 28	2 x 500 x 250
1800	2400	2 x 28	2 x 500 x 250
2000	3200	2 x 35	2 x 500 x 250
2200	3200	2 x 35	2 x 500 x 250
2400	4000	2 x 35	2 x 500 x 250
2600	4000	2 x 35	2 x 500 x 500



TECHNICAL DATA – X-CYCLONE® EVSR-M SERIES

Width [mm]	2000	2200	2400	2600	2800	3000
Height [mm]	450	450	450	450	450	450

Length [mm]	Extraction volume [m³/h]	Connected load illumination [W]	Exhaust air socket [mm]
2800	4800	2 x 35	2 x 500 x 500
3000	4800	4 x 28	2 x 500 x 500
3200	5600	4 x 28	2 x 500 x 500
3400	5600	4 x 28	2 x 500 x 500
3600	5600	4 x 28	2 x 500 x 500
3800	6400	4 x 28	2 x 500 x 500
4000	6400	4 x 35	2 x 500 x 500

Other sizes on request!



TECHNICAL DATA – X-CYCLONE® EVSR-M SERIES

Length [mm]	Weight [kg]					
	Width [mm]					
	2000	2200	2400	2600	2800	3000
1000	168	180	192	204	216	228
1200	188	200	216	228	240	256
1400	216	232	248	260	276	292
1600	240	256	272	288	304	320
1800	260	280	296	312	332	348
2000	288	304	324	344	360	380
2200	308	328	348	368	388	408
2400	332	356	376	396	420	440
2600	356	376	400	424	448	468
2800	384	408	432	456	480	508
3000	404	432	456	484	508	536
3200	432	456	484	512	540	568
3400	452	480	508	540	568	596
3600	472	504	532	564	592	624
3800	496	544	556	588	620	652
4000	524	556	588	624	656	688

