

X-CYCLONE[®] RJD Series

Compact air cleaners for fine dust and soldering/brazing fumes

THE BENEFITS OF X-CYCLONE® FINE DUST AND BRAZING FUME EXTRACTION DEVICES

- The sturdy housing made of corrosion-proof stainless steel offers considerably higher stability and durability than less expensive versions made of steel sheet or plastic.
- The extraction arm consists of a robust, self-supporting plastic structure. The mechanical features and the collecting nozzles comply with the requirements of state-of-the-art industrial enterprises.
- The particulate air filter is fitted with a high-grade glass fibre medium and offers a large filtering surface. It is distinguished by a considerably longer service life than traditional filters for fine dust and brazing fumes.
- All filters are fitted with robust stainless steel frames and provide much more stability than lower priced products with paper, wood or plastic frames.
- The fan is made in Germany and designed for low energy consumption. It has been constructed to avoid exposing electrical components and motor parts.
- The air-handling capacities specified in the documentation are achieved over the entire service life.
- The intelligent monitoring system with electronic flow sensors ensures permanent functional monitoring of extraction.





RANGE OF APPLICATION

Cleaning of extracted air from dry, fine dust such as grinding and graphite dust or from soldering and brazing fumes.

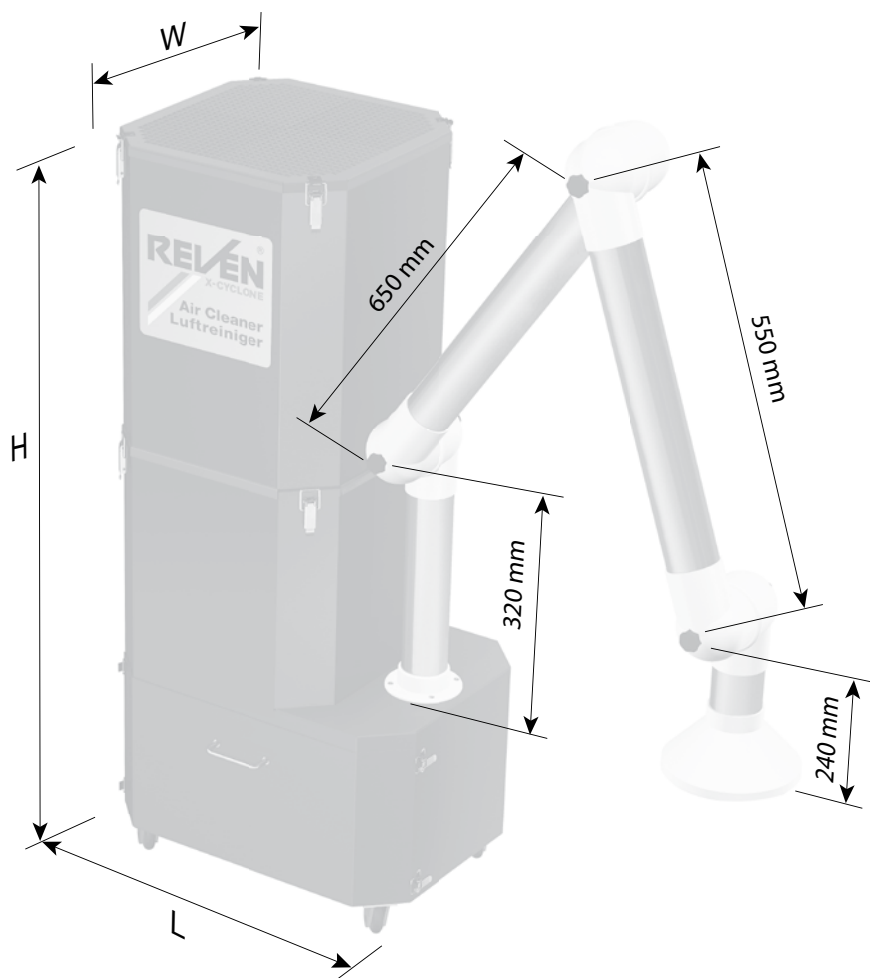
TECHNICAL HIGHLIGHTS

- High-performance EUREVEN® F2011 separating system with an efficiency rate of up to 99.9999 %. Filter module with moisture-repelling and cleanable, synthetic filter material.
- Sustainable air-cleaning concept thanks to the use of cleanable separators.
- Fan impeller and motor with energy-efficient eco-designs as required by the European Directive on Energy-related Products (ErP). Energy-saving potential of up to Euro 1,000 per year compared to traditional air cleaners.
- Housing 100 % rustproof in accordance with the requirements of the German trademark association for stainless steel Warenzeichenverband Edelstahl Rostfrei e.V.
- Designed, constructed and produced in Germany.
- Lifetime guarantee on the corrosion resistance of the housing.



ACCESSORIES

- X-CYCLONE® basic elements with flame- and spark-arresting capability, tested in accordance with UL 1046, ULC-S 649, JFEA, DIN 18869-5 and DIN EN 16282.
- Particulate air filter top unit, suitable for applications with high smoke and dust generation.
- Soldering/brazing fume filter top unit certified by the Institute for Occupational Safety and Health of the German Social Accident Insurance (IFA).
- Activated carbon filter top unit for the reduction of odour nuisance.



TECHNICAL DATA – X-CYCLONE® RJD SERIES

Type of device	Airflow rate [m ³ /h]	Electrical data						Dimensions			Weight [kg]
		Voltage [V]		Current [A]		Wattage [W]		Length [mm]	Width [mm]	Height [mm]	
		50 Hz	60 Hz	50 Hz	60 Hz	50 Hz	60 Hz				
RJD-1	500	3~400	3~230	1.75	3.00	500	810	560	410	1,220	70