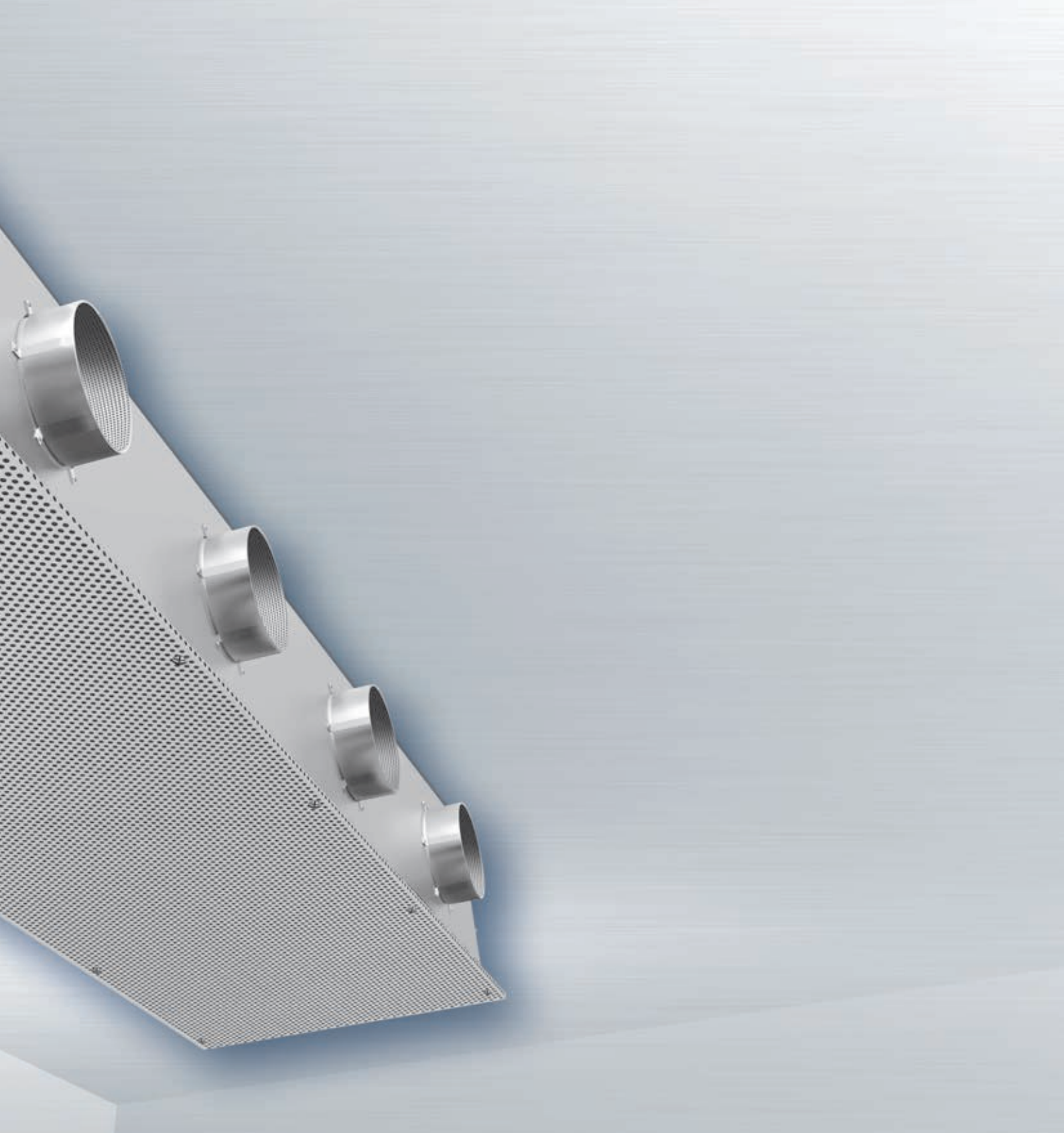
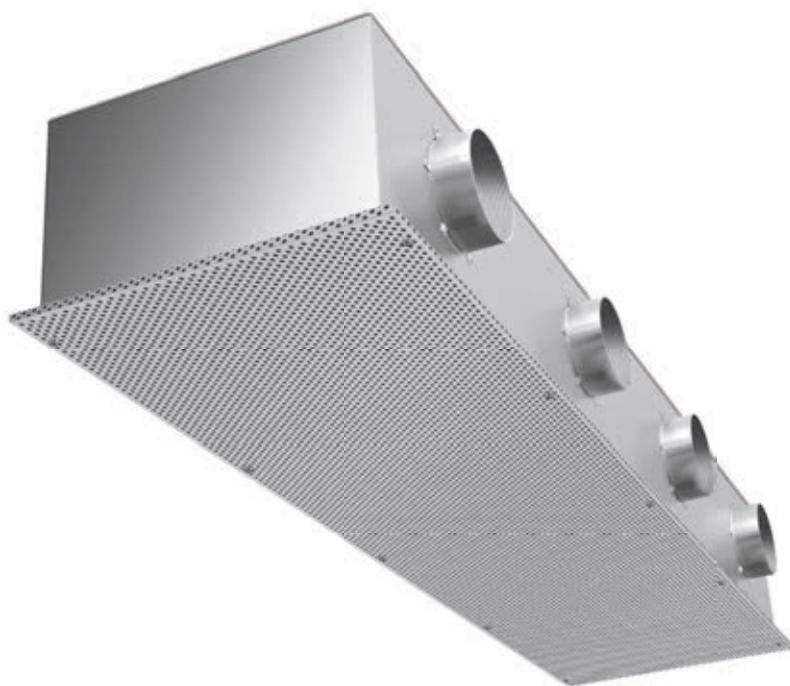


REVEN[®] ECOJET Series

Low-velocity air outlet for the control of air management when operating collecting hoods



RELVEN®
X-CYCLONE
Air Cleaner
Luftreiniger



RANGE OF APPLICATION

Supplementary control of air management when operating collecting and air-cleaning systems for food production and commercial kitchens.

Suitable for point-type integration into existing ceilings.

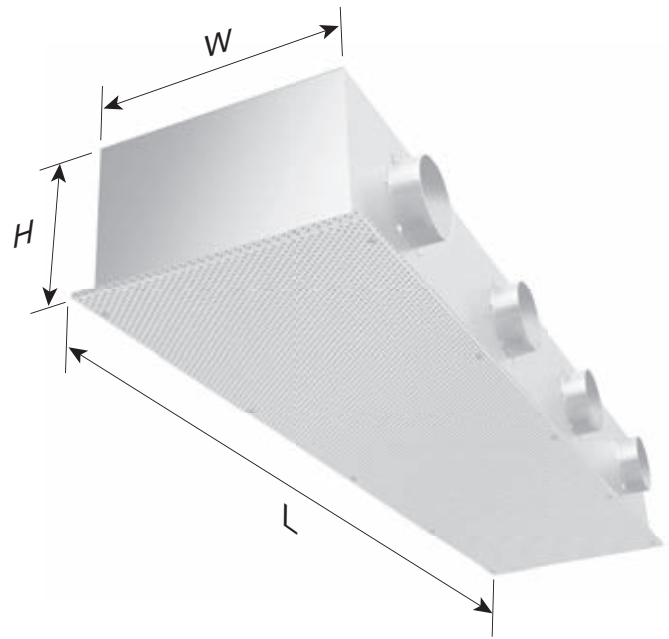
TECHNICAL HIGHLIGHTS

- Low-velocity supply air outlet with enclosure, lateral socket and control unit.
- Perforated metal sheets, optionally available in stainless steel or powder-coated aluminium.
- Flow-optimised design, suitable for food production facilities and commercial kitchens. Deep penetration of fresh air down to the floor area of the kitchen or production shop.
- Lower perforated sheet panel removable for adjusting work.
- Lifetime guarantee on the corrosion resistance of the enclosure.
- The perforated sheet coffers and all the materials used for their production are 100 % rustproof in accordance with the requirements of the German trademark association for stainless steel Warenzeichenverband Edelstahl Rostfrei e.V.
- Designed, constructed and produced in Germany.



ACCESSORIES

- Custom-made angle brackets available on request for perfect connection to existing ceilings.



TECHNICAL DATA – REVEN® ECOJET SERIES

Extraction volume [m ³ /h]	Dimensions				Weight [kg]
	Length [mm]	Width [mm]	Height [mm]	Exhaust air socket [mm]	
250	500	500 / 625	290	1 x 150	7
500	1000	500 / 625	290	2 x 150	14
750	1500	500 / 625	290	3 x 150	21
1000	2000	500 / 625	290	4 x 150	28