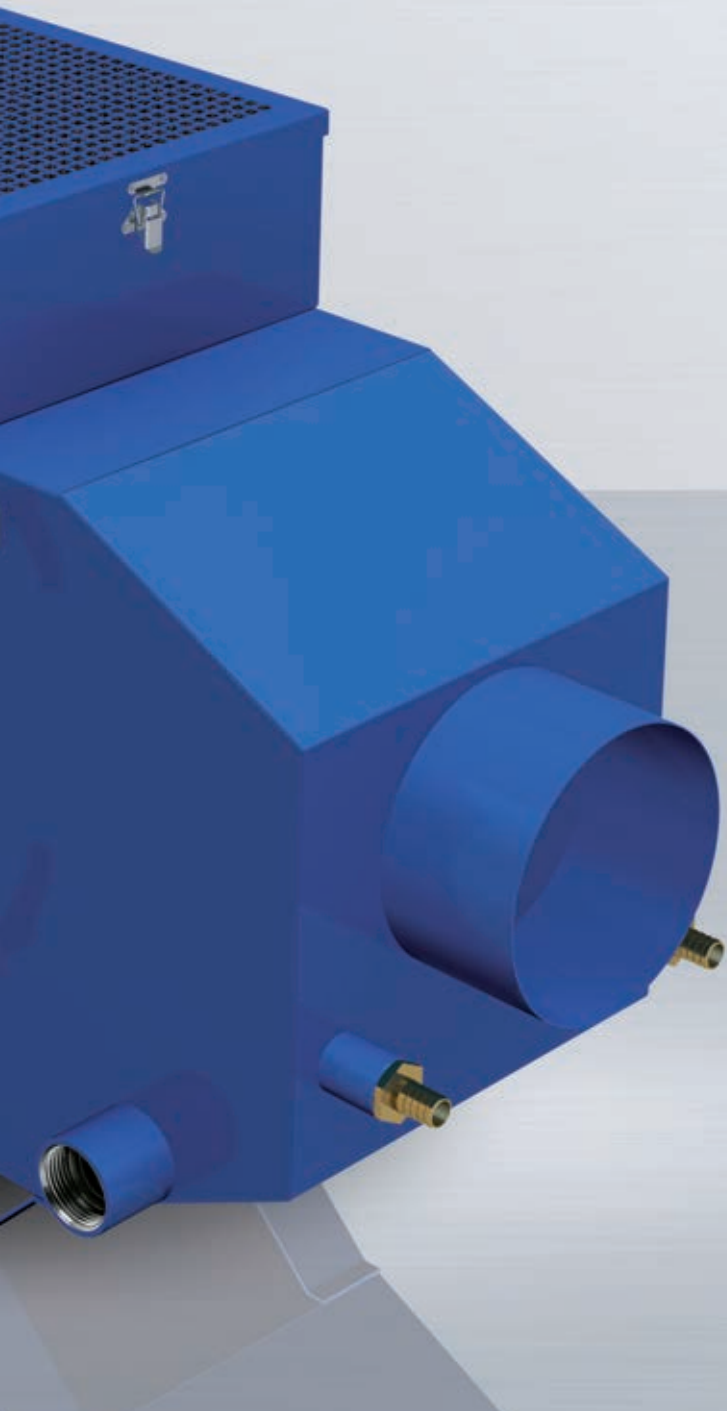




X-CYCLONE® CR Series

Compact air cleaners with REVEX® spraying technology



REVEN®
X-CYCLONE
Air Cleaner
Luftreiniger



RANGE OF APPLICATION

Cleaning of the exhaust air from cleaning facilities, cast machining tools, hardening furnaces, milk powder or chocolate production plants. Separation of dry, adhesive, solid and vaporous substances.

TECHNICAL HIGHLIGHTS

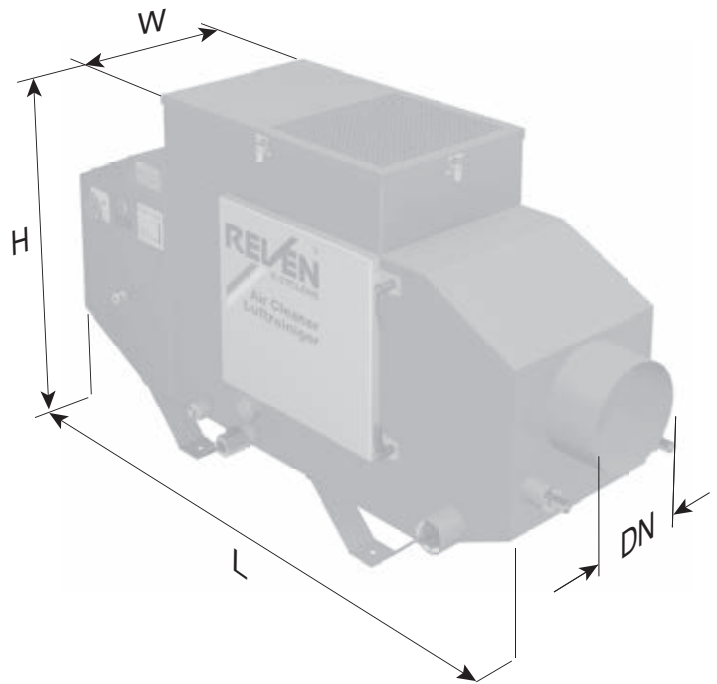
- Patented high-performance X-CYCLONE® separating system with an efficiency rate of up to 99.9999 %.
- Patented REVEX® spraying technology with cleaning and air washing function.
- Sustainable air-cleaning concept thanks to the use of cleanable separators.
- Fan impeller and motor with energy-efficient eco-design in accordance with the European Directive on Energy-related Products (ErP). Energy-saving potential of up to Euro 2,000 per year compared to traditional air cleaners.
- Efficiency and function of the air cleaner proven by CFD flow analysis.
- Flame-arresting X-CYCLONE® basic elements, tested in accordance with UL 1046, ULC-S 649, JFEA, DIN 18869-5 and DIN EN 16282.
- Agglomeration system made of stainless steel, suitable for the removal of PM2.5.
- Enclosure 100 % rustproof in accordance with the requirements of the German trademark association for stainless steel Warenzeichenverband Edelstahl Rostfrei e.V.
- Intelligent functional display.
- Designed, constructed and produced in Germany.



- State-of-the-art design protected by international design patent rights.
- Lifetime guarantee on the X-CYCLONE® basic separator elements and the corrosion resistance of the enclosure.

ACCESSORIES

- Digital fan module with USB interface for motor control and diagnosis.
- EUREVEN® F2011 filter made of moisture-repelling, synthetic material, easy to clean; suitable for low smoke generation.
- Particulate air filter top unit, suitable for high smoke generation.
- Honeycomb agglomerator, suitable for high steam concentrations.
- Chip protection, activated carbon filter and bag filter.
- Extraction hoses, collecting hoods and brackets.



TECHNICAL DATA – X-CYCLONE® CR SERIES

Type of device	Extraction volume [m³/h]		Electrical data						Dimensions				Weight [kg]
			Voltage [V]		Current [A]		Power [W]		Length [mm]	Width [mm]	Height [mm]	Connecting diameter DN [mm]	
			50 Hz	60 Hz	50 Hz	60 Hz	50 Hz	60 Hz					
1*	2*	50 Hz	60 Hz	50 Hz	60 Hz	50 Hz	60 Hz						
CR-2	800	1500	3~400	3~230	1.00	1.70	250	360	1065	360	765	150	52
CR-3	1200	2600	3~400	3~230	1.75	3.00	500	810	1200	370	765	200	60
CR-4	1700	4000	3~400	3~230	3.30	5.70	880	1500	1250	450	845	200	84
CR-5	2500	4500	3~400	3~230	4.40	7.60	970	1710	1280	550	925	300	116
CR-6	4000	6800	3~400	3~230	5.90	10.10	1820	3000	1300	655	1045	300	158
CR-7	5000	10500	3~400	3~230	7.70	13.40	3380	4200	1400	820	1205	400	246

1* Extraction volume when connected to the extraction system with filter installed.

2* Extraction volume in unconnected, free-blowing state without filter.